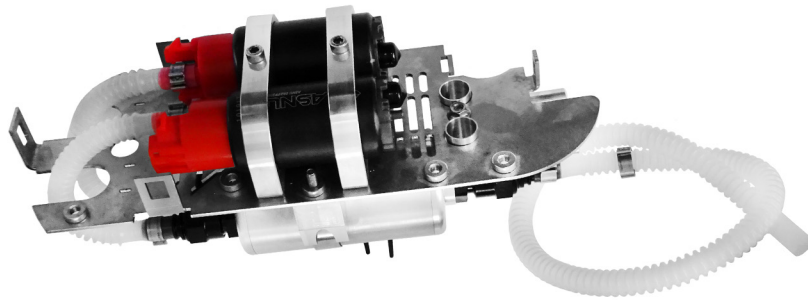




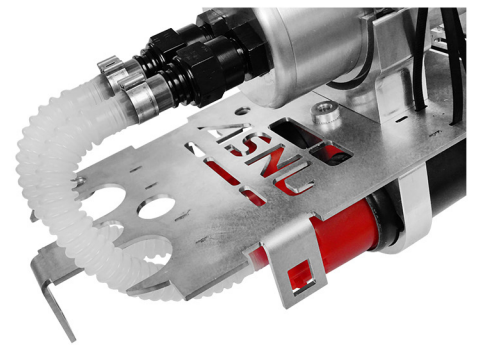
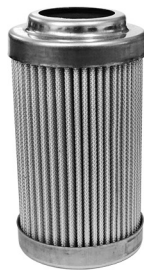
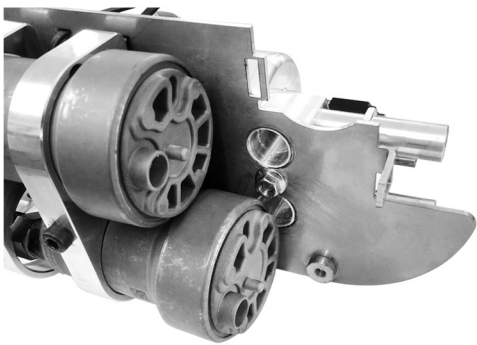
Baby Battleship



The Baby Battleship ("BBS") is a filter replacement and/or pump upgrade kit.

The system retains the OEM fuel lid, scavenge & return system and pump pre filters but removes the highly restrictive OEM filter and replaces it with a high performance, all fuels compatible unit.

The modular nature of the unit allows various upgraded pumps to be used. When combined with the reduced back pressure from the filter, this substantially improves the capability of the stock module.



The "BBS" comes with a bespoke stainless steel module lid and with up-rated scavenge fittings for improved module filling. The filter unit is a unique twin inlet design for high flow. We supply a 6 micron filter pre-fitted and an additional spare. The hose supplied is an OEM spec type, compatible with all fuels and rated to 10 bar.

The unit can be supplied with or without pumps (ASNU 330E) and can be specified to suit various pumps from the OEM fit 265 series, our twin 330E pumps or up to twin 450LPH units.

Part Numbers:

- ASNU 92/BBSB** (bare with no fuel pumps - ASNU fitment)
- ASNU 92/BBSBW** (bare with no fuel pumps - Walbro fitment)
- ASNU 92/BBS660** (with Twin ASNU 330E pumps)

